

# 7K Fixed Mini Centrifuge

---

**Cat. No. BT620**

## INTRODUCTION

Rotor provided:

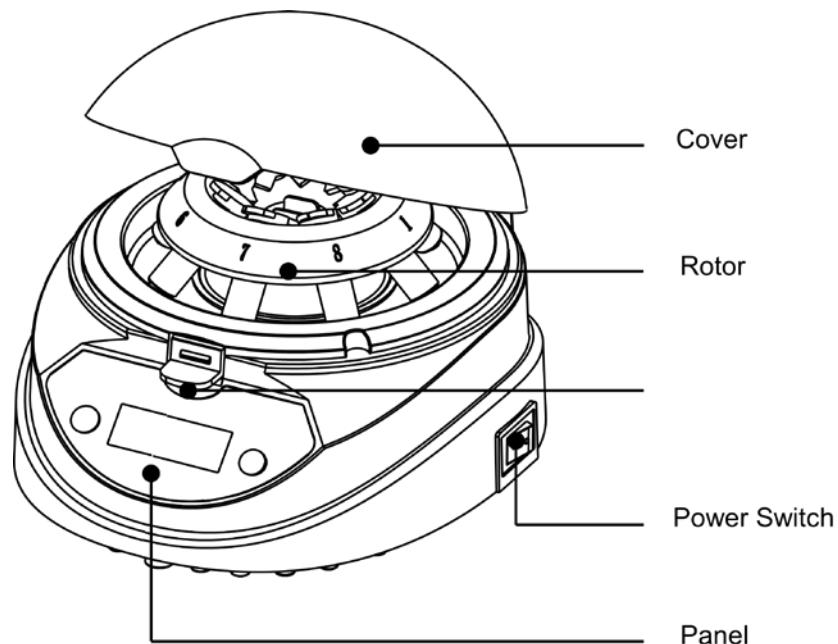
1. 8 x 1.5/2ml tubes, 8 x 0.5ml tubes AND 16 x 0.2ml tubes (or 2 x 8 tube strips).
  - a. 8 x 0.2ml and 8 x 0.5ml tube adapters are also supplied for this rotor



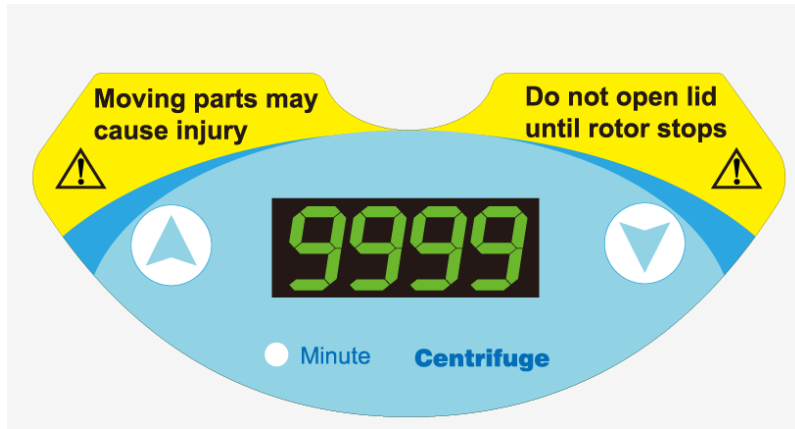
## SPECIFICATIONS

- Dimensions: 176 x 156 x 121mm
- Centrifugal force: 2600g
- Speed: 7000rpm
- Power: ~45W
- Power input: Supplied as 110V, 220V available upon request, 50/60Hz
- Fuse: 250V, 1.0A,  $\Phi 5 \times 20$

## OVERVIEW



## KEYBOARD AND DISPLAY PANEL



1. Use the up and down arrows to adjust the timer setting. The timer range is 1 second to 9999min.

## OPERATION

### **Timer Setting**

1. Turn on the main power switch. The device will enter into initial interface. LCD display “88 888” with beep alarm.
2. After 2 seconds, LCD displays the setting time in last operation.
3. Press ▲ or ▼ to increase or decrease the timing value. Change the value in different units, tens or hundreds. Keep pressing to make the value increase or decrease tens or hundreds times.
4. Keep pressing ▲ and ▼ of time key simultaneously around 6 seconds to change time unit. The indicator light of “Minute” on means the time unit is minute, the indicator light of “Minute” off means the time unit is second.
5. LCD displays 0000 stands for time is infinite.

### **Operation**

1. Open the lid and place samples in a balanced configuration.
2. Turn the switch to the side of “I”, set the time and speed according to the above operation guide.
3. Close the cover, ensuring to latch and the device begins operating. When the operation completes, press the open button after the rotor fully stopped. If the operation is needed to stop during the operating, please turn the switch to the side of “O”.

## IMPORTANT INFORMATION & WARNINGS

1. Do not open the cover before the rotor is fully stopped.
2. The samples must be properly balanced and orientated in a balanced configuration. Each sample tube should not exceed 3g.
3. If loud noise or heavy vibrating, stop operating at once.
4. Do not operate without a rotor
5. Do not move the device while centrifuging
6. Ensure centrifuge is placed on a flat, level and sturdy bench.

## MAINTENANCE

Use soft cloth with non-corrosive cleansing fluid (pH=7±1) to clean surface of the instrument. Operate the instrument only when dry. Do not dip the instrument into fluid or water.

## TROUBLESHOOTING

Issue	Possible Causes	Processing Procedure
Not work when power on	Power line problem	Check the power line
	No power	Check power situation
	Broken switch	Change the switch
	Cover is not closed well	Close the cover well
	Fuse blowout	Ask technician to exchange it.
Noisy and vibrate heavily during operation	Workbench is not stable	Put instrument to stable and firm workbench
	Tubes are not balanced	Place the tubes in balanced holes
	Sample level is too different resulting in imbalance	Put same volume sample in each tube
	Tubes leaked during centrifugation resulting in an imbalance	Ensure tubes are leakproof
	Rotor aged or partial defected	Change the rotor
	Different types of tubes mixing up	Use the same type of tube centrifuge at the same time
	Rotor cover deformed or cracked	Maintain in daily using. Exchange the cover if damaged.

## TECHNICAL SUPPORT

BT Lab Systems offers technical support for all of its products. If you have any questions about the product's use or, operation, please contact BT Lab Systems at the following info.

E-Mail: [info@BTLabSystems.com](mailto:info@BTLabSystems.com)