

10K Fixed Mini Centrifuge

Cat. No. BT603

INTRODUCTION

Rotor provided:

1. 8 x 1.5ml rotator supplied (suitable for 1.5ml/2.0ml x 8 tubes).
 - a. Additional supply 0.2ml and 0.5ml tube adapters are also supplied with this rotor.

The rotators can be used in extracting the supernatant from a variety of samples, separation of trace blood cells, rapid subsidence of samples, experimental centrifugal division etc.

SPECIFICATIONS

Dimension: 176 x 156 x 121 mm

Power: ≤45W

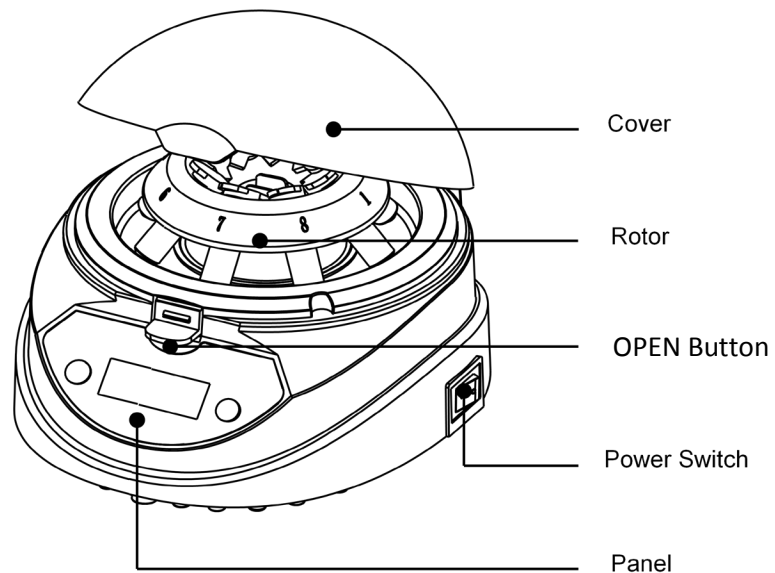
Power Input: AC220/110V, 50/60Hz

Fuse: 250V, 1.0A, Φ5 x 20

G Force (RCF): 5300 g

Speed: 10000rpm

OVERVIEW



KEYBOARD AND DISPLAY PANEL



Use the up and down arrows to adjust the timer setting. The timer range is 1 second to 9999min.

OPERATION

Timer Setting

1. Turn on the main power switch. The device will enter into initial interface. LCD displays “88 888” with beep alarm.
2. After 2 seconds, LCD displays the setting time of the last operation.
3. Press ▲ or ▼ to increase or decrease the timing value. Change the value to different units, tens or hundreds. Keep pressing to make the value increase or decrease.
4. Keep pressing ▲ and ▼ of time key simultaneously around 6 seconds to change time unit. The indicator light of “Minute” on means the time unit is minutes, the indicator light of “Minute” off means the time unit is seconds.
5. LCD displays 0000 stands for time is infinite.

Operation

1. Open the lid and place samples in a balanced configuration.
2. Turn the switch to “I”, set the time and speed according to the above operation guide.
3. Close the cover, ensuring to latch and the device begins operating. When the operation completes, press the open button after the rotor is fully stopped. If needing to stop during the operation, please turn the switch to “O”.

IMPORTANT INFORMATION & WARNINGS

1. Do not open the cover before the rotor is fully stopped.
2. The samples must be properly balanced and the tubes orientated in a balanced configuration. Each sample tube should not exceed 3g.
3. If loud noise or heavy vibrating occurs, stop operating at once.
4. Do not use different capacity tubes in one operation when using the rotor for 6X1.5ml tubes.
5. Do not operate without a rotor
6. Do not put sample into a tube which is fixed in the rotor.
7. Do not move the device will centrifuging
8. Ensure centrifuge in placed on a flat, level and sturdy bench.

MAINTENANCE

Use soft cloth with non-corrosive cleansing fluid (pH=7±1) to clean surface of the instrument. Operate the instrument only when dry. Do not dip the instrument into fluid or water.

TROUBLESHOOTING

Issue	Possible Causes	Solution
Not working when power is on	Power line problem	Check the power line
	No power	Check power situation
	Broken switch	Contact BT Lab Systems
	Cover is not closed well	Close the cover well
	Fuse blowout	Ask technician to exchange it.
Noisy and vibrating heavily during operation	Workbench is not stable	Put instrument on a stable and firm workbench
	Rotor is not properly installed	Install the rotor according to manual
	Tubes are not balanced	Place the tubes in balanced holes
	Sample levels are different	Put same sample volume in each tube
	Tube lid is not covered well, sample poured out when instrument operating	Put same sample volume in each tube and cover the lid well.
	Bad quality tubes, weeping leads to unbalance.	Contact BT Lab Systems to exchange the cover if damaged.
	Rotor aged or partially defected	Contact BT Lab Systems to get a new rotor.
	Different types of tubes used	Use the same type of tubes to centrifuge at the same time
Rotor cover deformed or cracked	Maintain daily. Contact BT Lab Systems to exchange the cover if damaged.	

TECHNICAL SUPPORT

BT Lab Systems offers technical support for all of its products. If you have any questions about the product's use or, operation, please contact BT Lab Systems at the following info.

E-Mail: info@BTLabSystems.com